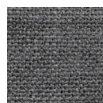


Lodge Chair



Andorra
Pewter



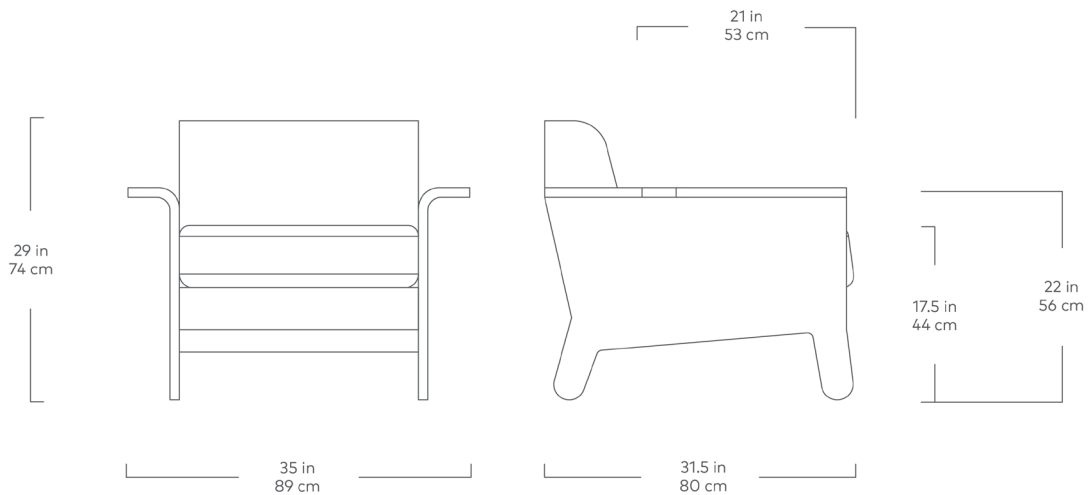
Saddle
Brown
Leather

Leather not available in Canada

The Lodge Chair is a contemporary club chair with playful, bent ply arms and a sculptural profile. This unique design is available with fabric or top-grain leather upholstery to contrast a walnut-finished exterior frame. The inner frame is constructed with kiln-dried FSC®-Certified hardwood.

Design Trade Professionals: We aim to keep our designs in stock and ready to ship quickly for projects on a tight timeline. Designs may be customized with COM and alternate finishes (minimum quantities may apply). Visit guscontract.com for more information about our Trade & Contract programs.

Lodge Chair



- Available with fabric or top-grain leather upholstery.
- Side panels are CNC precision-cut, formed plywood panels finished in real Walnut wood veneer.
- Inner frame is kiln-dried, FSC®-Certified hardwood (FSC® 092551).
- Manufactured to meet California TB117-2013 fire safety standards without the use of flame retardant additives in the upholstery foam.
- Wood is a natural material, with variations in grain pattern and colour that make each design unique.
- Our leathers may have distinct surface characteristics, natural markings, grain pattern and colour variations which differ from hide to hide and from one product to another, making each leather product unique.
- Surface scratches and wear marks on leather are normal and to be expected. Over time they will contribute to the unique personality, patina and visual charm of the design. If desired, scratches and wear marks may be minimized with the use of leather conditioner.
- With all leather products, some stretching over time is normal. This "working in" of the leather only adds to the comfort, softness and character of the design.

